



240L

Broadband Power Amplifier



HIGH RF VOLTAGES MAY BE PRESENT AT THE OUTPUT OF THIS UNIT. All operating personnel should use extreme caution in handling these voltages and be thoroughly familiar with this manual.

Do not attempt to operate this unit prior to reading this manual.

The material contained in this document is the property of Electronics & Innovation Ltd., it is subject to change without notice.

Warranty

Electronics & Innovation Ltd., (hereafter E&I) warrants for the period of one year from the date of original delivery, each unit to be free of defects in materials and workmanship. For the period of 12 months E&I will, at its option, repair or replace defective parts so as to render the unit fully operational such that it performs according to the original specifications; free of charge to the original purchaser.

Should warranty service be required, the unit must be returned to E&I, freight cost to be borne by the owner. If, in our opinion, the unit has been damaged by use outside the limits prescribed in this manual or by accident, then the warranty shall not be honored. In such a case E&I will provide an estimate for repair, assuming repair is possible and provide a quote at standard service rates.

Contents

Chapter 1	
General Information.....	3
Chapter 2	
Operation.....	4
Chapter 3	
Technical Information.....	7
Chapter 4	
Maintenance.....	8
Chapter 5	
Safety.....	12

The material contained in this document is the property of Electronics & Innovation Ltd., it is subject to change without notice.

Chapter 1 Introduction

The 240L is a broadband solid state amplifier covering the frequency spectrum from 10 KHz to 12 MHz. It is rated at 40 watts of RF power with low harmonic and intermodulation distortion. Over 100 watts of saturated power can be produced with increased distortion products. A highly linear Class A design, the 240L will amplify inputs of AM, FM, SSB, pulse and any complex modulation signals. The amplifier has 50 dB gain it is unconditionally stable and will not oscillate even with combinations of mismatched source and load impedance. It is protected against failure due to output load mismatch and/or overdrive.

RMS forward and reverse powers are monitored by a front panel meter. An integral power supply permits operation from 115/230 single phase AC power.

1.2 INSTRUMENTATION IDENTIFICATION

Each amplifier is identified by a serial number tag on the back panel of the unit. Both the model number and the serial number should be quoted to identify specific unit.

1.3 SPECIFICATIONS

Physical and electrical specifications are listed in Table 1-1 below

Table 1-1. SPECIFICATIONS

FREQUENCY COVERAGE:	10 kHz to 12 MHz.
GAIN:	50 dB min, ± 1.5 variation.
CLASS A LINEAR OUTPUT:	Nominal 40 watts.
HARMONIC DISTORTION:	> -25 dBc at 40 watts output.
SATURATED RF POWER OUTPUT:	100W Min. from 30kHz - 4MHz; 90W Min. from 10kHz - 10MHz; 80W Min. from 10MHz - 12MHz.
INPUT IMPEDANCE	50 ohms, VSWR, 1.5:1 Maximum.
OUTPUT IMPEDANCE:	50 ohms, VSWR, 2.5:1 Maximum
STABILITY:	Continuous operation into any load or source impedance.
PROTECTION:	Unit will withstand a + 13dBm input signal (1.0 Volts RMS) for all output load conditions, without damage.
POWER OUTPUT METER:	True RMS power detection. $\pm 3\%$ of full scale accuracy.
POWER REQUIREMENTS:	85 – 264 VAC 47-63 Hz.
SIZE:	5 1/4 X 16.5 X 18.1 inches 13.4 X 41.9 x 46.0 cm.
WEIGHT:	32.5 pounds 14.7 kg
CONNECTORS:	BNC
OPERATING TEMPERATURE:	0 – 40 C
RACK MOUNTING:	

Chapter 2 Operation

2.1 INTRODUCTION

The 240L RF amplifier is used to amplify the RF level of signal sources in the 10 KHz to 12 MHz range. No tuning or any other form of adjustment is required.

The 240L produces rated power output at its output connector, regardless of load impedance. Any power reflected due to output load mismatch is absorbed in the amplifier. Therefore, although the output impedance is 50 ohms (maximum VSWR: 2.5:1), the amplifier will work into any load impedance.

The material contained in this document is the property of Electronics & Innovation Ltd., it is subject to change without notice.

2.2 RACK INSTALLATION

This unit is 3U high, 16.5" width. With the handles removed it will fit into a standard rack.

2.2.1 Mains Voltage

The unit accommodates AC line voltages from 85 TO 264 VAC 47 – 63 Hz

2.3 OPERATION

A line cord is supplied to form a connection between the mains supply and the rear of the unit. Plug this into AC input at the rear of the unit and the AC mains outlet.

2.3.1 Proceed as follows:

- (i) Ensure that there is at least 3" or 7.5 cm clearance at the rear of the unit for air flow.
- (ii) Ensure RF input voltage is not excessive
 - a. The 1 V rms indicated maximum input voltage is 5 times the level of the input signal required to achieve maximum output. Input voltages in excess of 2 volts peak may permanently damage the instrument.
- (iii) Connect the output via a 50 ohm coaxial lead and BNC plug to the load.
- (iv) Connect the input signal via a 50 ohm coaxial lead and BNC plug to the input connector.

2.3.2 Front Panel Display

The 240L front panel has a passive LCD display designed for simplicity and ease of use. During initialization, the LCD shows the software revision. After the amplifier is initialized, the LCD indicates Forward Power, Reflected Power, and amplifier status (see figure 2.1).

Pf: ___ W Pr: ___ W

Status: _____

Figure 2.1 : Front Panel Display

Where Pf refers to forward power, Pr refers to reverse power, and Status indicates "OK" unless there is a fault condition, such as:

- Overheat (heat-sink temperature is too high for reliable operation)

The material contained in this document is the property of Electronics & Innovation Ltd., it is subject to change without notice.

- PSU fault (internal fault in the main switching power supply)

In the event of a fault, the unit may be reset by either cycling the power. In the case over an over temp fault, ensure that the air inlet and out let are unclogged and unrestricted. If the fault persists, please contact Field Service.

2.3.3 RS 232 Interface

The 240L features a standard RS-232 serial interface suitable for connection to a PC or host system. The communication protocol is extremely simple to facilitate readback and control with readily available terminal programs such as Hyperterm. The RS-232 link has the following parameters:

Baud rate: 19200

Data bits: 8

Parity: none

Stop bits: 1

Flow control: none

An example configuration using HyperTerminal on a PC is shown in figure 2.2.

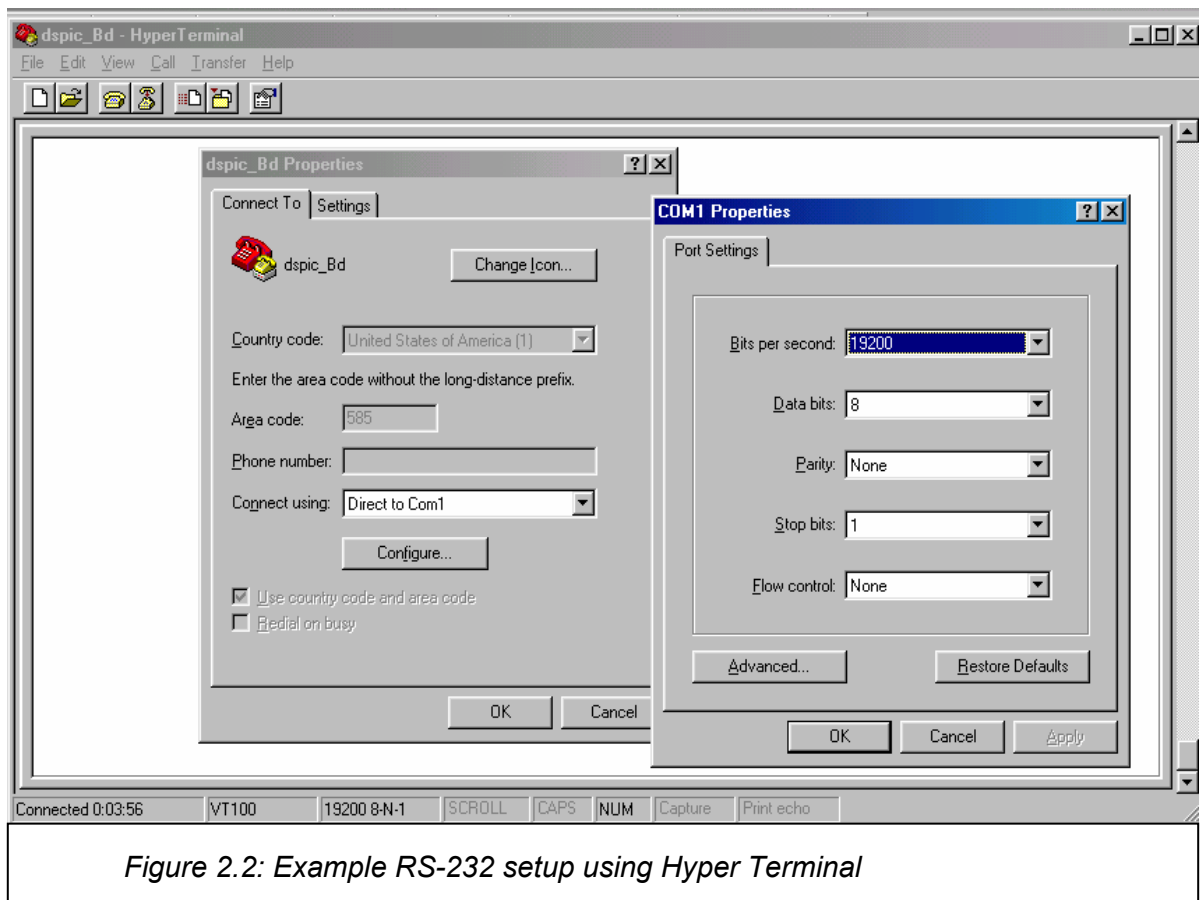


Figure 2.2: Example RS-232 setup using Hyper Terminal

The material contained in this document is the property of Electronics & Innovation Ltd., it is subject to change without notice.

In the default state, the RS-232 port will echo the same information sent to the front panel LCD display, allowing a running datalog to be stored to disk using the capture feature of the terminal program.

Single character commands can be sent to the amplifier to achieve the following:

"1" key enables telemetry (readback similar to LCD display) - this is the default mode at power up

Custom commands and display lists can be implemented upon customer request.

Chapter 3 Technical Description

3.1 GENERAL DESCRIPTION

The 240L is designed to amplify signals by 50 dB in the frequency band of 10 KHz to 12 MHz. The signal from the front panel BNC connector is fed via a length of 50 ohm coaxial cable into the input of the driver amplifier module. The signal from the input of the driver is coupled to the input of the MMIC front end. The output signal of the MMIC is coupled to the gate of transistor Q1. The further amplified signal appearing at the drain of Q1 is coupled to the input of Q2. This is transformed to 50 Ω and fed to the driver output BNC port.

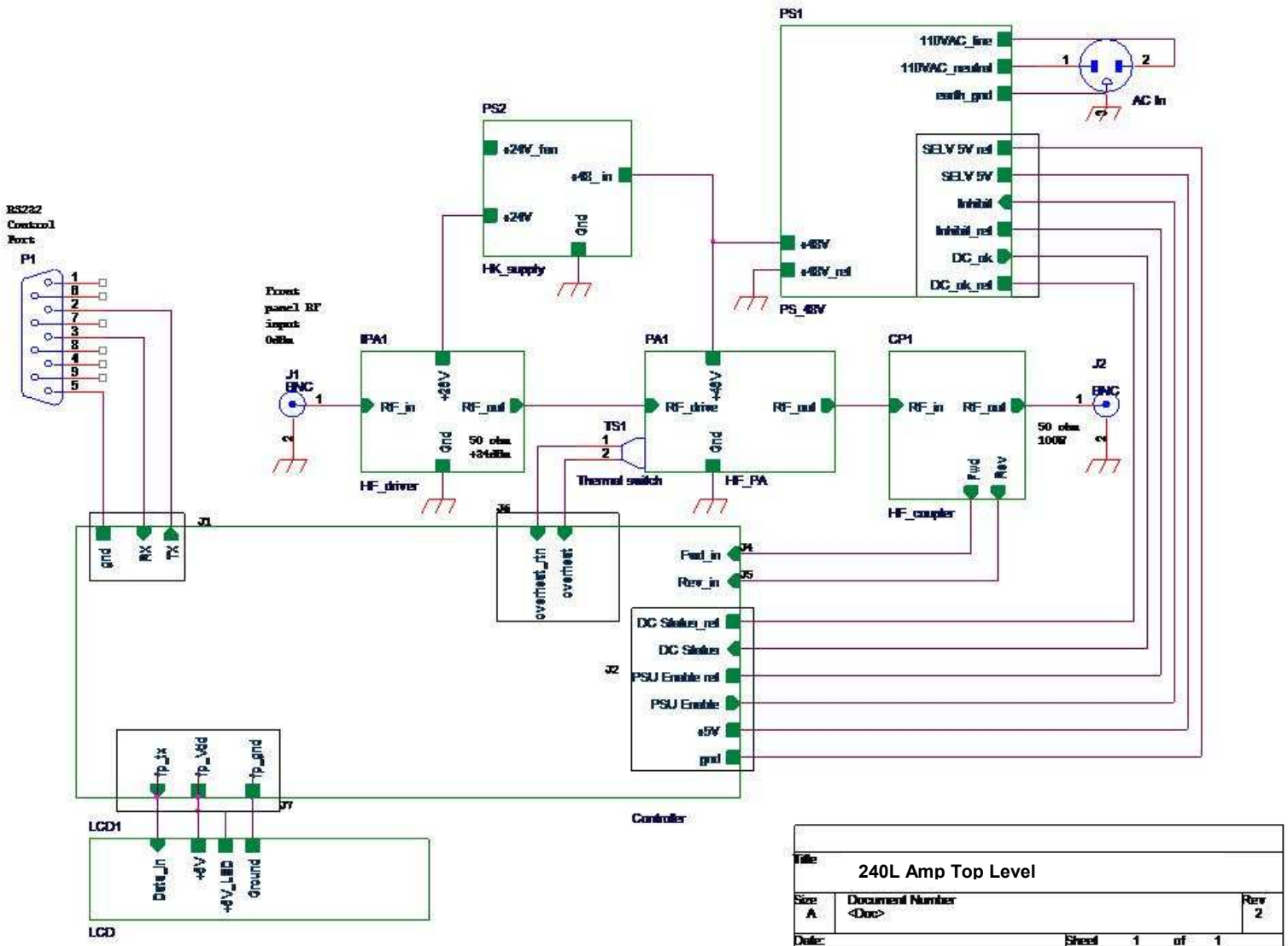
The driver output signal is fed through a length of coaxial cable to the input of the power amplifier module. The signal is split into two equal phase and amplitude signals. These signals are fed to the inputs of transistors Q1 and Q2. The amplified signals appearing at the drains of Q1 and Q2 are then fed to the output BNC port via the impedance matching network.

The power amplifier output signal is then fed into a length of 50 ohm coaxial cable to the RF bi-directional coupler. The output of the coupler is then fed directly to the BNC connector on the front panel, this is the unit output.

The forward and reverse coupled ports of the bi-directional coupler are fed to the RF detector which is situated on the main control board. The RF detector feeds a voltage, which is representative of the true RMS power to the control board proper. The control board in turn drives the front panel display.

The main power supply unit provides a 48 VDC 12 ampere source. It is a switch mode power supply unit. The output feeds the PA and the 24 Volt DC power supply regulator. This in turn provides power for the drive amplifier. The main power supply also has a 5 VDC output which feeds the control board.

The material contained in this document is the property of Electronics & Innovation Ltd., it is subject to change without notice.



Chapter 4 Maintenance

4.1 INTRODUCTION

The E&I 240L RF amplifier requires no periodic maintenance. The instrument is unconditionally stable and is fail-safe under all load conditions. Damage can only be externally caused by the incorrect selection of the AC supply voltage or by an

The material contained in this document is the property of Electronics & Innovation Ltd., it is subject to change without notice.

input signal in excess of the specified 1 volt rms equivalent to a power level of 13dBm.

This chapter therefore, deals only with certain fundamental procedures for fault location.

Performance limits quoted are for guidance only and should not be taken for guaranteed performance specifications unless they are also quoted in the Specification Section 1.2.

4.2 PERFORMANCE CHECKS

To determine the amplifier's performance carry out the following procedure.

4.2.1 Initial Check

The following check can be made after repair and adjustments or whenever the condition of the unit is in question.

- a. Connect AC power supply. Switch on power and observe that the display initializes.
- b. Connect a sweep generator (HP 8601 or similar) capable of sweeping the frequency range 10 KHz to 12 MHz, to the input connector.
- c. Adjust the output level of the sweep generator so that a 50 ohm video detector connected at the output of the unit will not be damaged by excessive power output. (Reference section 4.4.1 for set up.)
- d. Observe the gain versus frequency ripple on an oscilloscope calibrated in decibels. The gain variation must be not more than +/- 1.5 dB over the frequency range.
- e. Connect a calorimetric power meter (HP434 or equivalent) through a 10 dB 200 watt attenuator to the output connector. Adjust the input CW signal to any frequency between 10 kHz and 12 MHz for 40 watts output.
- f. Observe the harmonic distortion of the output on a spectrum analyzer. The harmonic components contributed by the amplifier should be better than 25 dB down from the fundamental.
 - (a) If the above items are found to be outside of the specification, check the spectral content of the input signal. If this is a pure signal then the unit needs to be returned to the factory for service.

The material contained in this document is the property of Electronics & Innovation Ltd., it is subject to change without notice.

4.3.1 Measurement of Gain

1. Equipment Required (or equivalent):

- a) Oscilloscope - Tektronix T921
- b) Sweep/Generator - HP8601A
- c) Signal Generator - Exact Model 7060
- d) 50 ohm Detector - Wavetek D151
- e) Attenuator, 30 dB, 200 Watts Bird

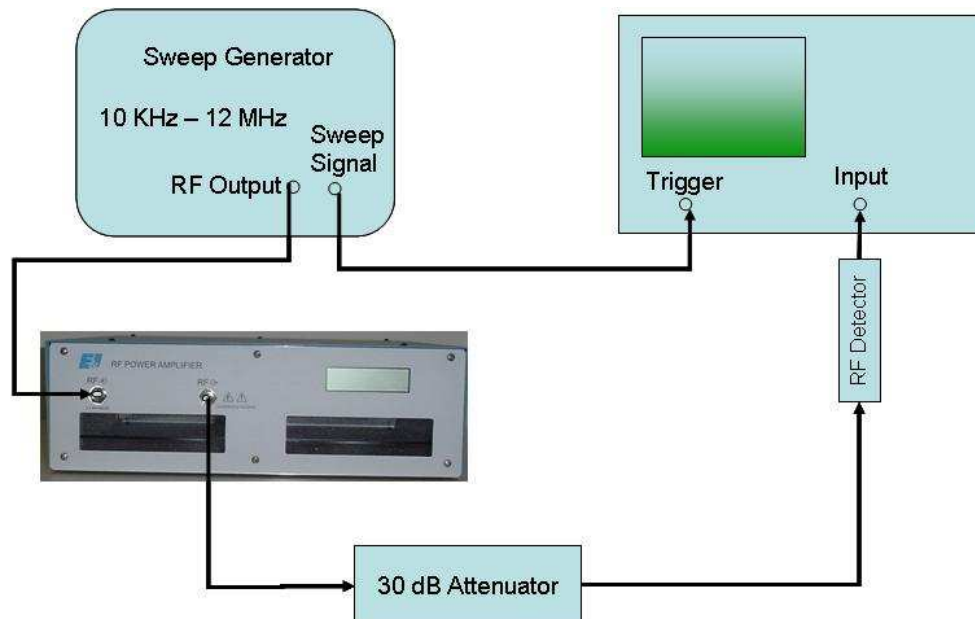


Figure 4-1. Gain Measurement

2. Connect the equipment as shown in Figure 4-1, then proceed as follows:

- a) Set the oscilloscope to DC, Time/cm to Ext. X, and gain to 10mv/cm.
- b) Set the sweep generator to the video sweep mode with the start frequency at 10 kHz and the sweep width to 12 MHz.
- c) Disconnect the 240L from the set-up and connect the sweep/generator RF output directly to the 30 dB attenuator.
- d) Adjust the output level of the sweep/generator for full vertical deflection on the oscilloscope face.
- e) Calibrate the scope face to show 3 dB in 1 dB steps by attenuating the sweep/generator in 1 dB.
- f) Return sweep/generator output level to full deflection. Rotate the step attenuator (CCW) so that the output is reduced by 50 dB.

The material contained in this document is the property of Electronics & Innovation Ltd., it is subject to change without notice.

- g) Reconnect the 240L into the test set-up of Figure 4-1.
- h) Place the 240L power switch to the "ON" position.
- i) Observe the gain versus frequency sweep on the oscilloscope.
 - The average gain should be greater 50 dB
 - The gain variation should be within the 3 dB as shown on the oscilloscope.

4.4.2 Measurement of Harmonics

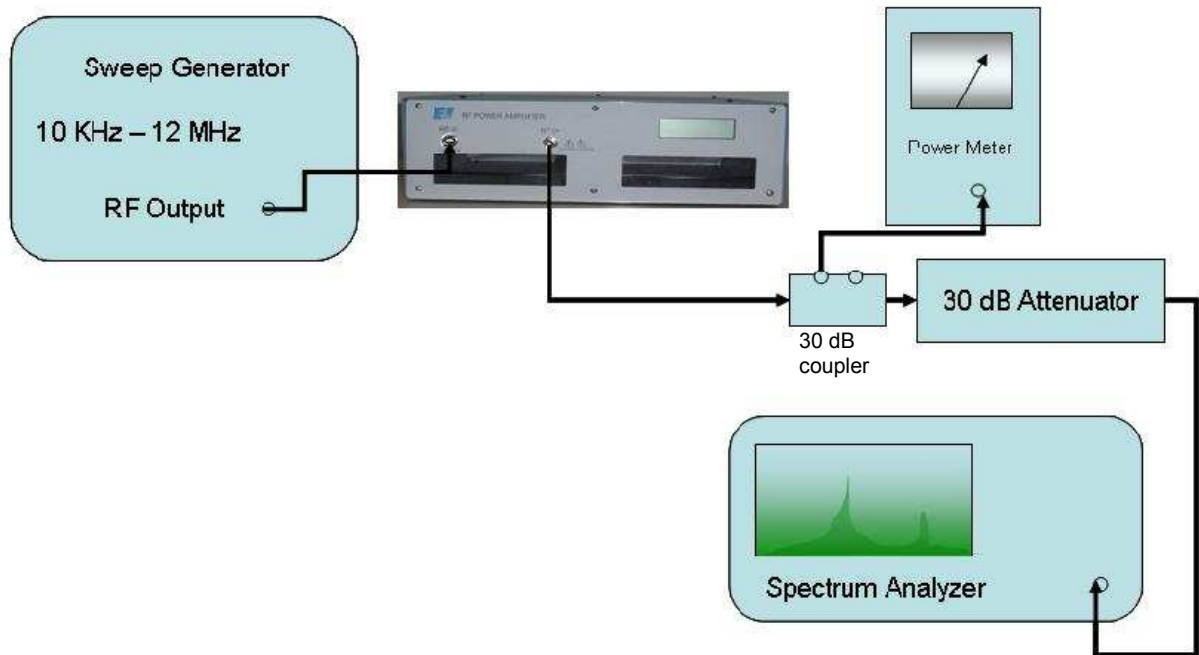


Figure 4-2.

1.) Equipment Required:

- a) Sweep/Signal Generator
- b) Calorimetric Power Meter HP434A
- c) Spectrum Analyzer.
- d) Attenuator (20dB)
- e) Attenuator (30dB)
- f) Coupler (30 dB)

2.) Connect the Equipment as shown in Figure 4-2, then proceed as follows:

- a) Adjust the signal generator to a CW center frequency of 10 kHz, for an indicated output of 40 watts on the power meter.
- b) Using the spectrum analyzer, check that the level of the carrier

The material contained in this document is the property of Electronics & Innovation Ltd., it is subject to change without notice.

harmonics is less than -25 dB with respect to the carrier while manually scanning the frequency band of 10 KHz to 12 MHz. An indicated power output of 40W should be maintained during this operation.

4.5 PACKAGING FOR RESHIPMENT

In the event of the equipment being returned for servicing it should be packed in the original shipping carton and packing material. If this is not available, wrap the instrument in heavy paper or plastic and place in a rigid outer box of wood, fiberboard or very strong corrugated cardboard. Use ample soft packing to prevent movement. Provide additional support for projecting parts to relieve these of unnecessary shock. Close the carton securely and seal with durable tape. Mark the shipping container FRAGILE to ensure careful handling.

Chapter 5 Safety:

Do not attempt to operate this unit with the cover removed. High AC and DC voltages are present. The cover prevents against electrical shock due to AC line voltages, high DC and RF fields. Further the cover provides part of the cooling system design. Components, specifically on the RF driver board are prone to over-heat and eventual failure if the unit is operated without the cover in place.

Ensure that the load is connected to the output prior to connecting the RF input to the unit. This will prevent high voltages being present and exposed at the output connector.

Only use the AC cord provided or equivalent.

Ensure that the mains outlet is properly grounded.

The material contained in this document is the property of Electronics & Innovation Ltd., it is subject to change without notice.